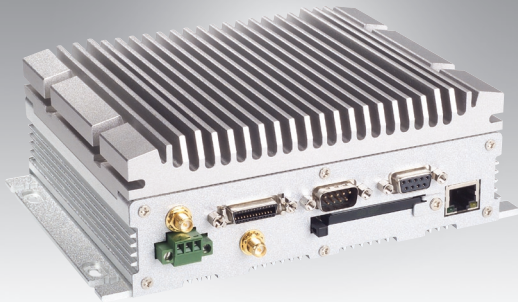


# ARK-1388

Ultra Compact, Intel® Core™ 2 Duo ULV U7500 1.06 GHz / Celeron® M ULV 423 1.06 GHz, In-Vehicle Computing System

NEW



## Features

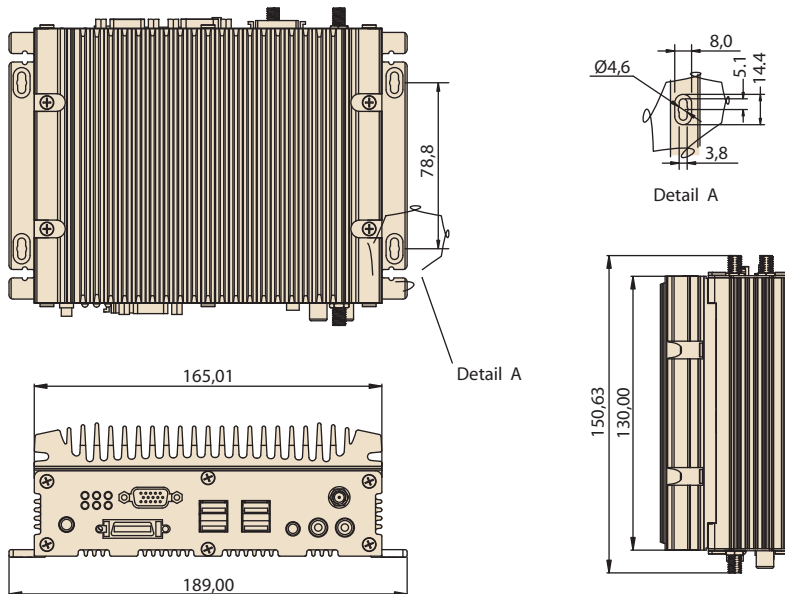
- Built-in Intel® Core™ 2 Duo ULV U7500 1.06 GHz / Celeron® M ULV 423 1.06 GHz CPU
- Power Ignition status monitor and system on/off auto control
- Support VGA, LVDS dual independent display
- One RS-232, Three x RS-232/422/485
- Four USB ports and one 10/100 LAN
- Four digital input with isolation and Two digital output with relay
- Amplifier audio support stereo 6W
- Support 50-channel GPS receiver
- Optional built in WLAN/GPRS/EDGE/HSDPA module
- ISO-7637-2
- IP40

## Specifications

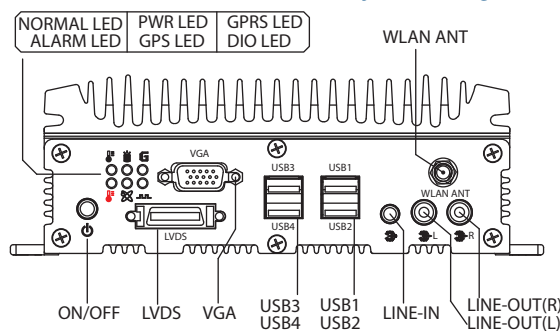
|                        |  |  |
|------------------------|--|--|
| Processor System       | CPU  | Embedded Intel® Core™ 2 Duo ULV U7500 1.06 GHz / Celeron® M ULV 423 1.06 GHz CPU                                       |
|                        | System Chipset                                 | Intel 945GM  |
|                        | BIOS   | Award 4 Mbit Flash BIOS  |
|                        | System Memory                                  | 1 x 200-pin SODIMM Socket supports Double Date Rate 2 (DDR2) 128 MB to 2 GB, DDR2 533/667 MHz                          |
| Graphics               | Chipset  | Intel 945GM Integrated Graphic Accelerator   |
|                        | Memory   | DVMT 3.0, fixed mode 224 MB  |
|                        | Interface                                      | 1 x CRT interface<br>1 x 18/36-bit LVDS<br>Support dual independent displays   |
| Ethernet               | Chipset  | Intel 82562GZ 10/100 Base-T Ethernet controller  |
|                        | Interface                                      | 1 x RJ45   |
| Audio                  | Amplifier                                      | Built-in stereo 6W for left and right channel line-out amplifier (Max support up to 15 W)                              |
|                        | Interface                                      | 2 x BNC connectors for Line-out<br>1 x phone jack connector for Line-in  |
| Others                 | Watchdog Timer                                 | 255 level timer interval, setup by software  |
|                        | Keyboard/Mouse                                 | -  |
|                        | Serial Ports                                   | 1 x RS-232, 3 x RS-232/422/485, jumper selectable (RS-485 support Auto flow control)                                   |
|                        | Parallel Port                                  | -  |
|                        | USB 2.0 Ports                                  | 4  |
| Communication devices  | WLAN   | 802.11b/g WLAN miniPCI module (optional)   |
|                        | GPS  | Built-in u-blox LEA 5 GPS receiver   |
|                        | GPRS/EDGE/HSDPA                                | Wavecom Q2686, support GSM/GPRS 850/900/1800/1900 MHz (optional)   |
|                        |  | Wavecom Q2687, support GSM/GPRS/EDGE (optional)<br>Siemens HC25, support UMTS/HSDPA (optional)                         |
| Storage Drive Bay      | SSD  | 1 x External CompactFlash® socket for Type I/II CompactFlash disk  |
| Power                  | Power Consumption                              | Typical:   |
|                        | Input Voltage                                  | Support DC 9 ~ 35 V  |
|                        | Minimum input voltage                          | 6 V <sub>DC</sub> , supports cold crank of ISO-7637  |
|                        | Power Ignition on control                      | Power on delay, default 10 sec   |
|                        | Power Ignition off control                     | Power off delay, default 60secs<br>Power hard off delay, default 180secs   |
| Software Support       | Windows XP Embedded                            |  |
| Environment            | Operating Temperature                          | Intel Celeron M ULV 423 1.06 GHz: 0 ~ 60°C with airflow<br>Intel Core™ 2 Duo ULV U7500 1.06 GHz: 0 ~ 55°C with airflow |
|                        | Relative Humidity                              | 95% @ 40° C  |
|                        | Vibration During Operation                     | With CompactFlash disk: 5Grms, IEC 60068-2-64, random, 5 ~ 500 Hz, 1 Oct./min, 1hr/axis. / MIL-STD 514.5C-3            |
|                        | Shock During Operation                         | With CompactFlash disk: 50Grms, IEC 60068-2-27, half sine, 11 ms duration /MIL-STD 516.5                               |
|                        | Safety   | CE, UL, CCC, BSMI  |
|                        | EMC  | CE/FCC Class A, CCC, BSMI  |
|                        | Road vehicles                                  | ISO-7637-2   |
| Mechanical             | Construction                                   | Aluminum housing   |
|                        | Mounting                                       | VESA mounting  |
|                        |  | Din-Rail mounting  |
|                        |  | Desk/Wall mounting   |
| Dimensions (W x H x D) | 189 x 63.76 x 130.6mm ( 7.44" x 2.51" x 5.14") |  |
| Weight                 | 1.9 kg   |  |

## Dimensions

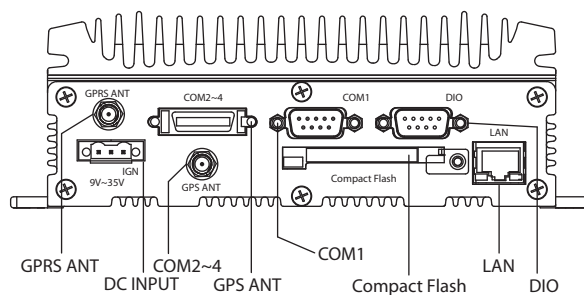
Unit: mm



### Front Panel External I/O Mechanical Layout/Drawing



### Rear Panel External I/O Mechanical Layout/Drawing



## Ordering Information

| Part Number    | Description   |
|----------------|---|
| ARK-1388-S0A1E | ARK, Intel Celeron M ULV 423 1.06 GHz, w/ 4 COM, 4 USB, VGA, LVDS, audio and GPS.     |
| ARK-1388-S1A1E | ARK, Intel Core™ 2 Duo ULV U7500 1.06 GHz, w/ 4 COM, 4 USB, VGA, LVDS, audio and GPS. |

## Packing List

| Part Number | Description   |
|-------------|---|
| 2066138800  | 1 x Driver/Utility CD                                   |
| 1700001394  | 1 x 2-Pole Phoenix to DC-Jack Power Cable               |
|             | 1 x GPS antenna   |
| 1750000318  | 1 x Antenna 2DBI 2.4 GHz SMA Conn (for ARK-1382W-S0A1E) |
|             | 1 x 3 D-sub connector for COM ports cable               |

## Optional Items

| Part Number | Description   |
|-------------|---|
| 1757000222  | AC-to-DC Adapter DC19 V/3.42 A 65 W, with Phoenix Power Plug, 0 ~ 40° C for Home and Office Use |
| 1700001947  | Power Cable 2-pin 180 cm, USA type  |
| 1700001948  | Power Cable 2-pin 180 cm, Europe Type   |
| 1700001949  | Power Cable 2-pin 180 cm, UK Type   |
| 1700002141  | Power Cable 2-pin PSE Mark 183 cm   |
| 9666K10000E | DIN-rail Mounting Kit   |
| 9666K10001E | VESA Mounting plate   |
|             | GPRS/EDGE Antenna   |
| 1750003222  | 802.11b/g 5dBi Dipole Antenna   |
| 9698010000E | AMO-Q2687 GSM/GPRS/EDGE module  |
| 9698010100E | AMO-HC25 UMTS/HSDPA module  |
| 9698010200E | AMO-Q2686 GSM/GPRS module   |